



System 75 - Aluminium (AL)

Extraction arms

Table mounting	75 AL 2
Wall and ceiling mounting	75 AL 3

Hoods

Suction pen 1-7525	75 AL 4
Suction pen 1-7526	75 AL 5
Suction nozzle 1-7525-5	75 AL 6
Metal hood 1-7524	75 AL 7
Metal hood 1-7524-5	75 AL 8
Square hood 1-754232-5	75 AL 9
Round hood 1-7528-5	75 AL 10
Round hood 1-7535-5	75 AL 11
Flat hood 1-753324	75 AL 12

Brackets

Table bracket 2-7510	75 AL 13
U-profile 30-75-5	75 AL 14
Wall bracket 2-195	75 AL 15
Ceiling columns	75 AL 16

Accessories

Reducer 4-8075	75 AL 17
Reducer 4-10075	75 AL 18
Cover flange 4-200-200	75 AL 19
Support bracket 2-75-5	75 AL 20
Protective netting 5-17	75 AL 21



System 75 - Aluminium (AL)

All components RoHS-compatible.

Design:

- Extraction arm for mounting on table
- Working range 550 - 1620 mm
- Recommended airflow 80 to 180 m³/h
- Diameter of tube Ø75 mm
- Tubes made of anodized Aluminium - surface 10 µ
- Joints made of shatterproof, chemical resistant polypropylene (PP)
- Colours of joints: white (-5) and red (-4)
- All O-rings maintenance free
- Integrated valve. When in an open position out of the flow path to maintain the maximum amount of flow
- All threaded stays, springs and thumbscrews made of acid-proof stainless steel (AISI 316L)
- Acid-proof POP[®] rivets for increased durability in aggressive environments
- All hoods can be provided with a protective netting (accessory) to reduce the risk of extracting foreign objects
- Dismantling of the arm without tools for cleaning

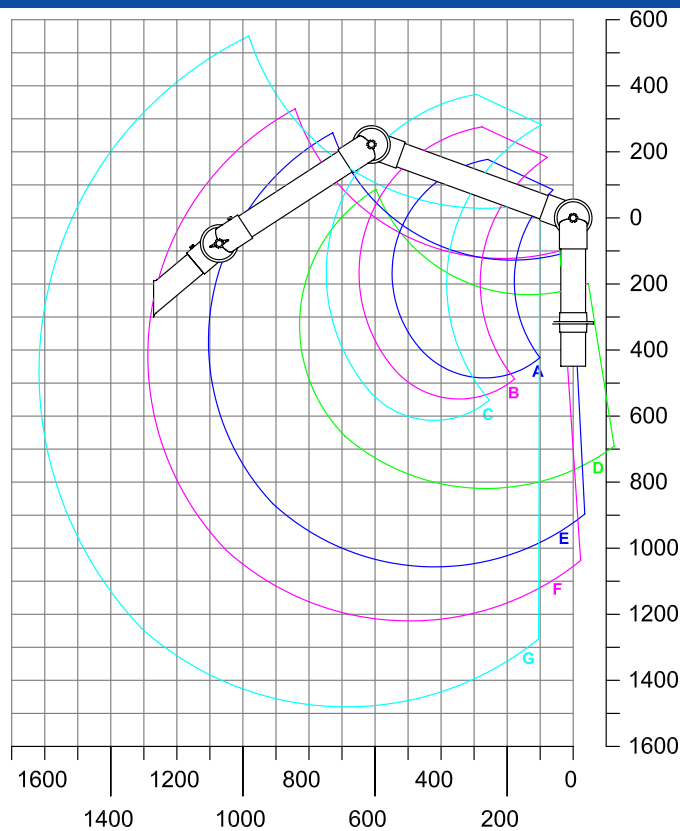


Links: [Pressure drop chart](#), [Mounting](#), [User's manual](#), [Capture efficiency](#).

Working area

We do not recommend a stationary working position in the upper or lower working area.

All units in mm



A: Model 75-35-1-4 /-5
B: Model 75-45-1-4 /-5
C: Model 75-55-1-4 /-5
D: Model 75-3535-1-4 /-5
E: Model 75-5545-1-4 /-5
F: Model 75-6555-1-4 /-5
G: Model 75-9065-1-4 /-5



System 75 - Aluminium (AL)

All components RoHS-compatible.

Design:

- Extraction arm for mounting on wall or ceiling
- Working range 795 - 1990 mm
- Recommended airflow 80 to 180 m³/h
- Diameter of tube Ø75 mm
- Tubes made of anodized Aluminium - surface 10 µ
- Joints made of shatterproof, chemical resistant polypropylene (PP)
- Colours of joints: white (-5) and red (-4)
- All O-rings maintenance free
- Integrated valve. When in an open position out of the flow path to maintain the maximum amount of flow
- All threaded stays, springs and thumbscrews made of acid-proof stainless steel (AISI 316L)
- Acid-proof POP® rivets for increased durability in aggressive environments
- All hoods can be provided with a protective netting (accessory) to reduce the risk of extracting foreign objects
- Dismantling of the arm without tools for cleaning



Links: [Pressure drop chart](#), [Mounting without gas spring](#), [Mounting with gas springs](#)
[User's manual](#), [Capture efficiency](#).

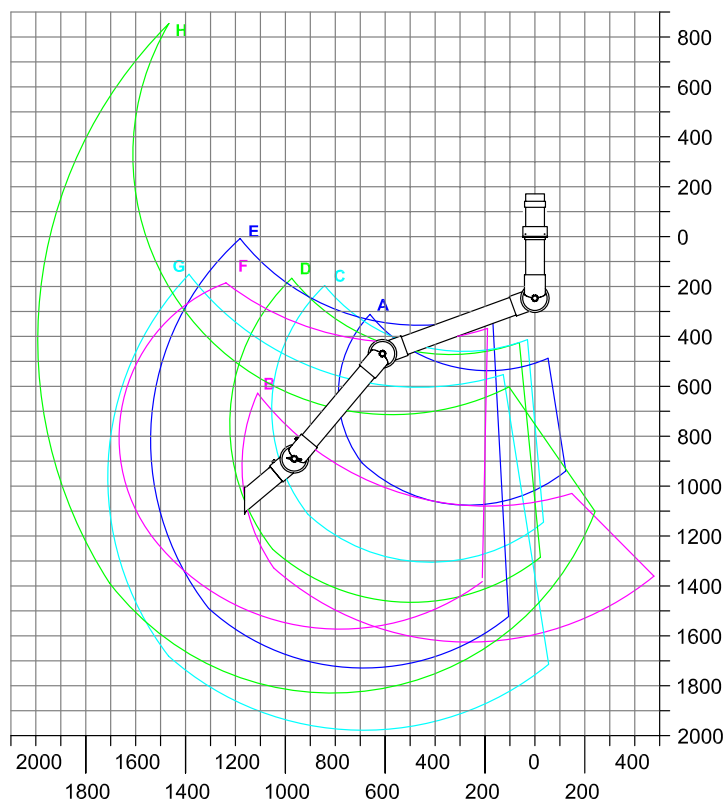
Working area

We do not recommend a stationary working position in the upper or lower working area.

All units in mm

* With 1 gas spring

** With 2 gas springs



A: Model 75-3535-3-4 /-5
 B: Model 75-3590-3-4 /-5
 C: Model 75-5545-3-4 /-5
 D: Model 75-6555-3-4 /-5
 E: Model 75-9065-3-4 /-5
 F: Model 75-9065-3-22-4 /-5*
 G: Model 75-9090-3-4 /-5
 H: Model 75-9090-3-22-4 /-5**

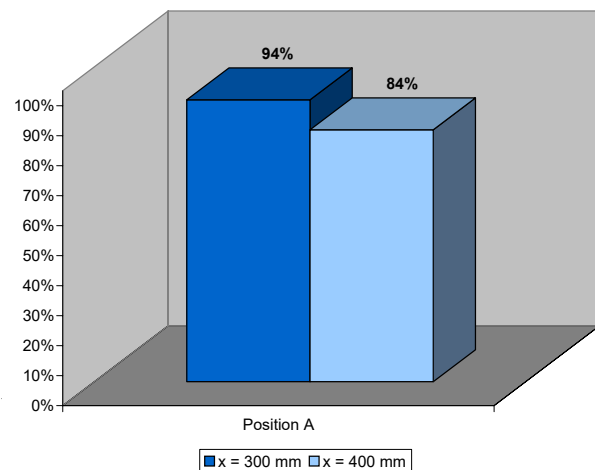
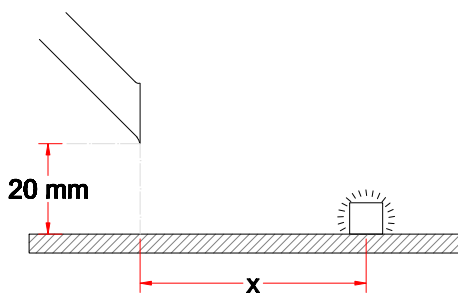


System 75 - Aluminium (AL)

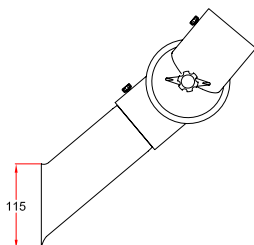
- Suction pen recommended for concentrated sources of pollution
- High efficiency as the suction pen gets close to the source without obstructing the work process
- Tube made of anodized aluminium - surface 10 μ
- Funnel of the suction pen in order to increase the capture efficiency
- Length: 250 mm



Capture efficiency



Drawing



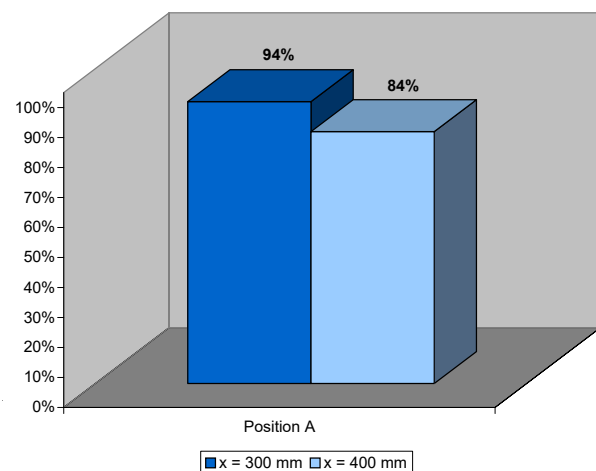
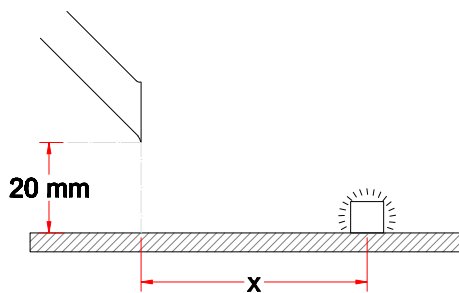


System 75 - Aluminium (AL)

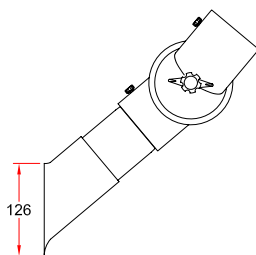
- Suction pen recommended for concentrated sources of pollution
- High efficiency as the suction pen gets close to the source without obstructing the work process
- Tube made of anodized aluminium - surface 10 μ
- Tip made of shatter proof, chemical resistant polypropylene (PP)
- Tip colour: white (-5) or red (-4)
- Funnel of the nozzle in order to increase the capture efficiency
- Length: 250 mm



Capture efficiency



Drawing



Suction nozzle 1-7525-5



System 75 - Aluminium (AL)

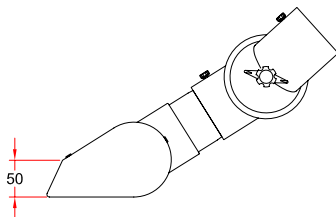
- Suction nozzle recommended for concentrated sources of pollution
- Width: 250 mm
- Tube and nozzle made of anodized aluminium - surface 10 μ - and shatter proof chemical resistant polypropylene (PP)
- Internal distribution tube in order to increase the capture efficiency
- Colours available: white (-5) or red (-4)



Capture efficiency

Measurements for this product are comparable with article no. [1-5020](#).

Drawing





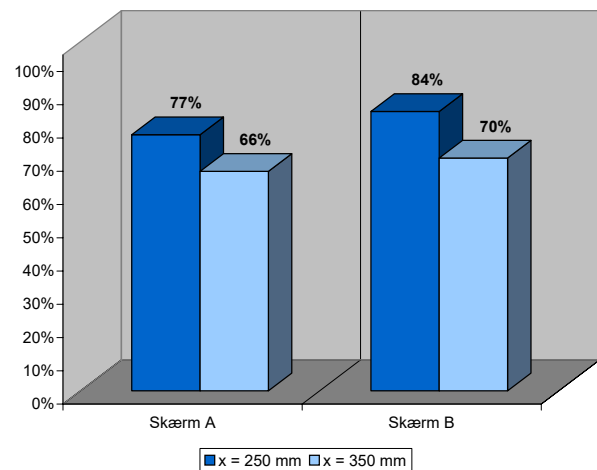
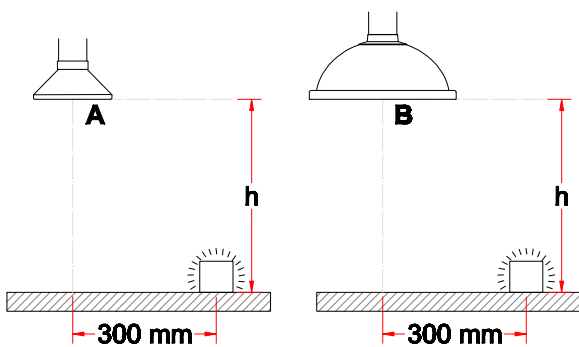
System 75 - Aluminium (AL)

- Metal hood recommended when extracting hot gases, fumes, light dust concentrations etc.
- Suitable for autoclaving
- Diameter of hood: $\varnothing 200$ mm
- Hood, flange and connection tube and flange made of anodized aluminium - surface 10μ

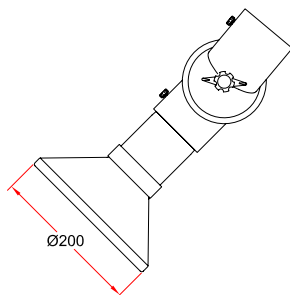


Capture efficiency

The relatively low efficiency indicates, that the illustrated position is not optimal for this hood. For system 100 other measurements have been made for a similar round hood - see article no. [1-10024](#).



Drawing





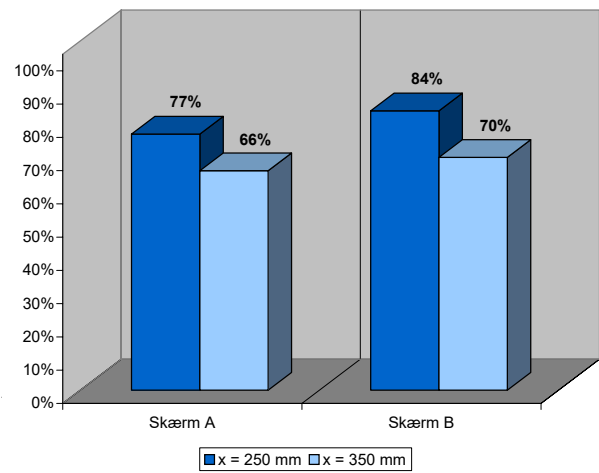
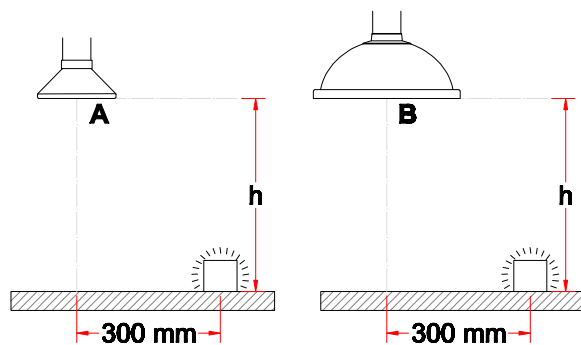
System 75 - Aluminium (AL)

- Metal hood recommended when extracting hot gases, fumes, light dust concentrations etc.
- Diameter of hood: $\varnothing 200$ mm
- Hood made of aluminium with a polyester powder-coating
- Connection tube made of anodized aluminium - surface 10μ
- Colour: white (-5) or red (-4)

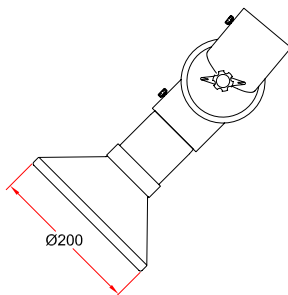


Capture efficiency

The relatively low efficiency indicates, that the illustrated position is not optimal for this hood. For system 100 other measurements have been made for a similar round hood - see article no. [1-10024](#).



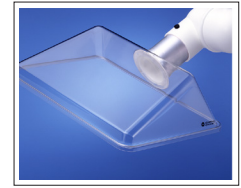
Drawing



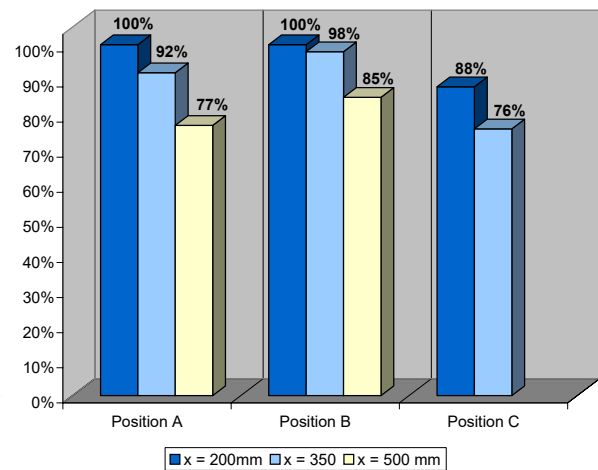
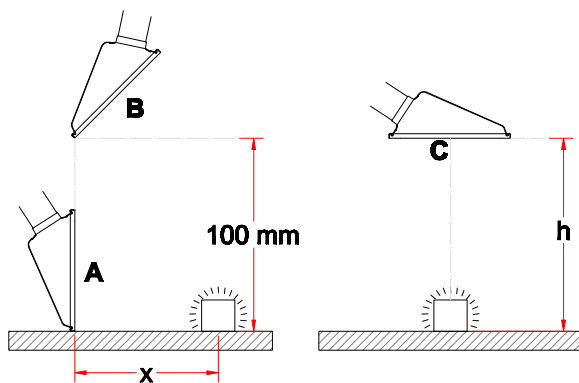


System 75 - Aluminium (AL)

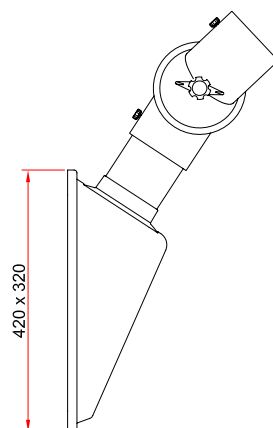
- Square hood recommended for light and heavy fumes and gases
- Dimension of hood: 420x320 mm
- Increased stability when moving the hood due to reinforced rim of the hood
- Increased efficiency when placed vertically on a surface
- Hood made of transparent PETG, resistant to solvents
- Connection tube made of anodized aluminium - surface 10 μ
- The transparent hood assists in keeping a good view of the work process
- Colours of flange available: white (-5) or red (-4)



Capture efficiency



Drawing





System 75 - Aluminium (AL)

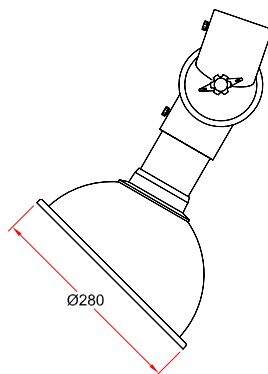
- Round hood recommended for light fumes, gases and over small open vessels
- Diameter of hood: Ø280 mm
- Increased stability when moving the hood due to reinforced rim of the hood
- Increased efficiency when placed at an angled position
- Hood made of transparent PETG, resistant to solvents
- Connection tube made of anodized aluminium - surface 10 µ
- The transparent hood assists in keeping a good view of the work place
- Colours of flange available: white (-5) or red (-4)



Capture efficiency

Measurements for this product are comparable with article no. [1-6328](#).

Drawing





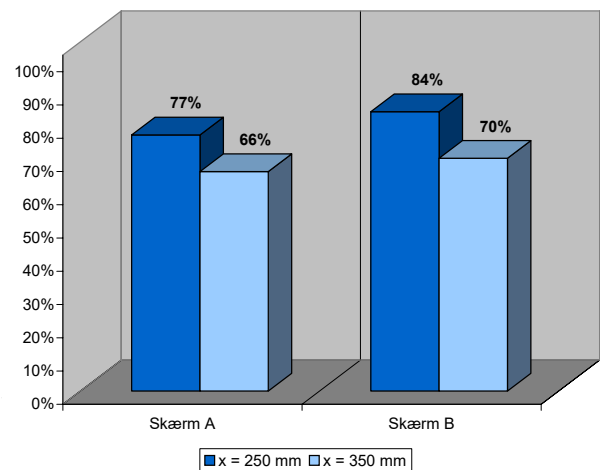
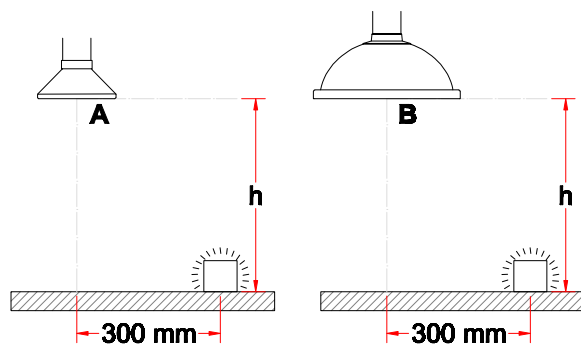
System 75 - Aluminium (AL)

- Round hood recommended for light fumes, gases and over small open vessels
- Diameter of hood: Ø385 mm
- Increased stability when moving the hood due to reinforced rim of the hood
- Increased efficiency at an angled position
- Hood made of transparent PETG, resistant to solvents
- Connection tube made of anodized aluminium - surface 10 µ
- The transparent hood assists in keeping a good view of the work place
- Colours of flange: white (-5) or red (-4)

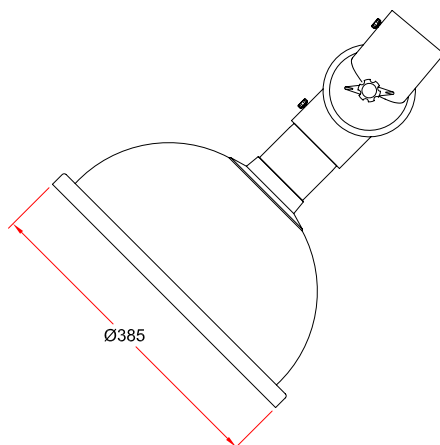


Capture efficiency

The relatively low efficiency indicates, that the illustrated position is not optimal for this hood. For system 100 other measurements have been made for a similar round hood - see article no. [1-10050](#).



Drawing



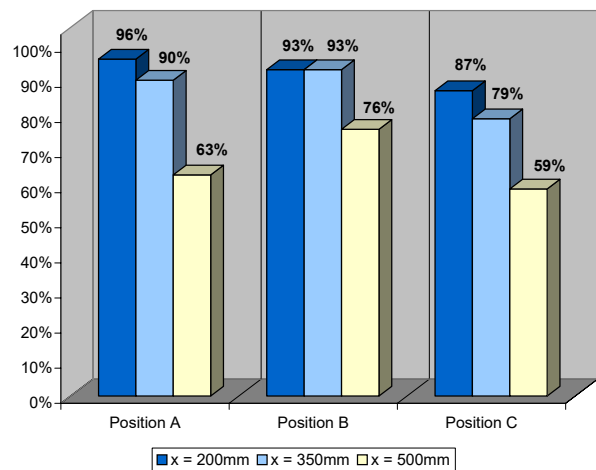
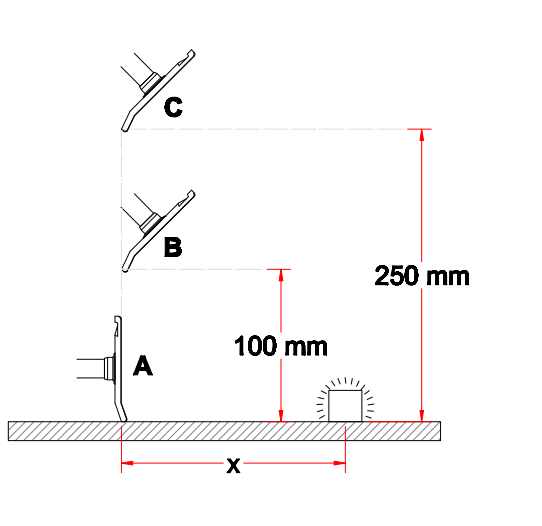


System 75 - Aluminium (AL)

- Flat hood recommended when extracting heavy gases and fumes
- Dimension of the hood: 330x240 mm
- Increased efficiency when placed vertically on a surface
- Hood made of transparent PETG, resistant to solvents
- Connection tube made of anodized aluminium - surface 10 μ
- The transparent hood assists in keeping a good view of the work place
- Colour of flange available: white (-5) or red (-4)



Capture efficiency



Drawing

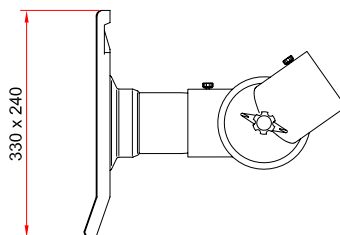


Table bracket 2-7510

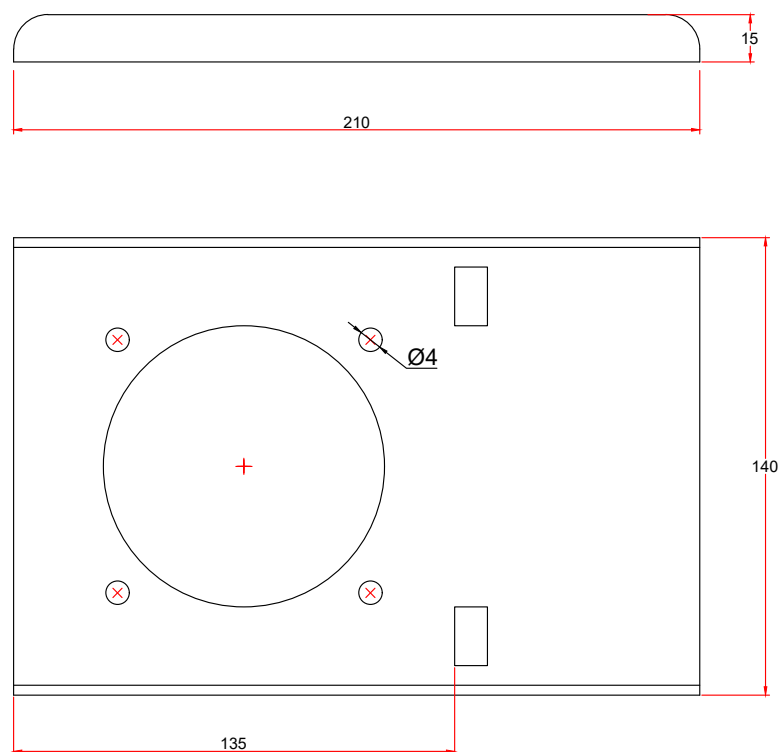


System 75 - Aluminium (AL)

- Table bracket to mount extraction arms for table mounting at the edge of the table
- Easily removable without tools for mobile installations
- Made of steel with a polyester powder-coating on all surfaces
- Colours: white (-) or black (-050)



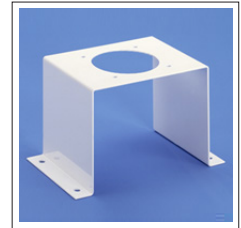
Drawing



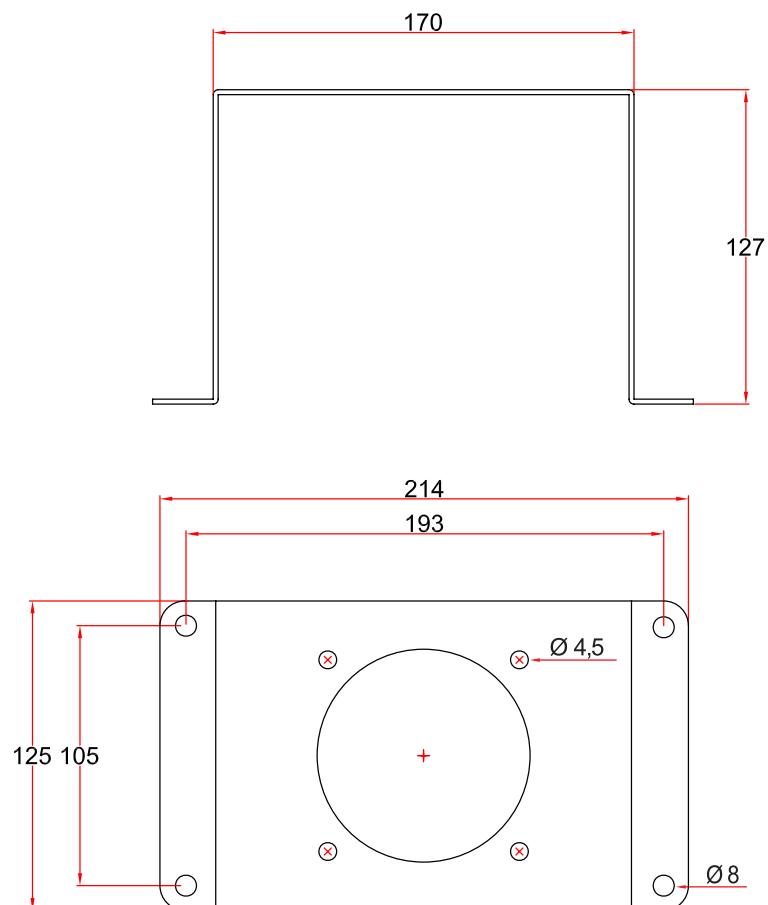


System 75 - Aluminium (AL)

- Bracket/U-profile to support the socket pipe of long extraction arms for table mounting
- Made of steel with a polyester powder-coating on all surfaces
- Colour: white



Drawing





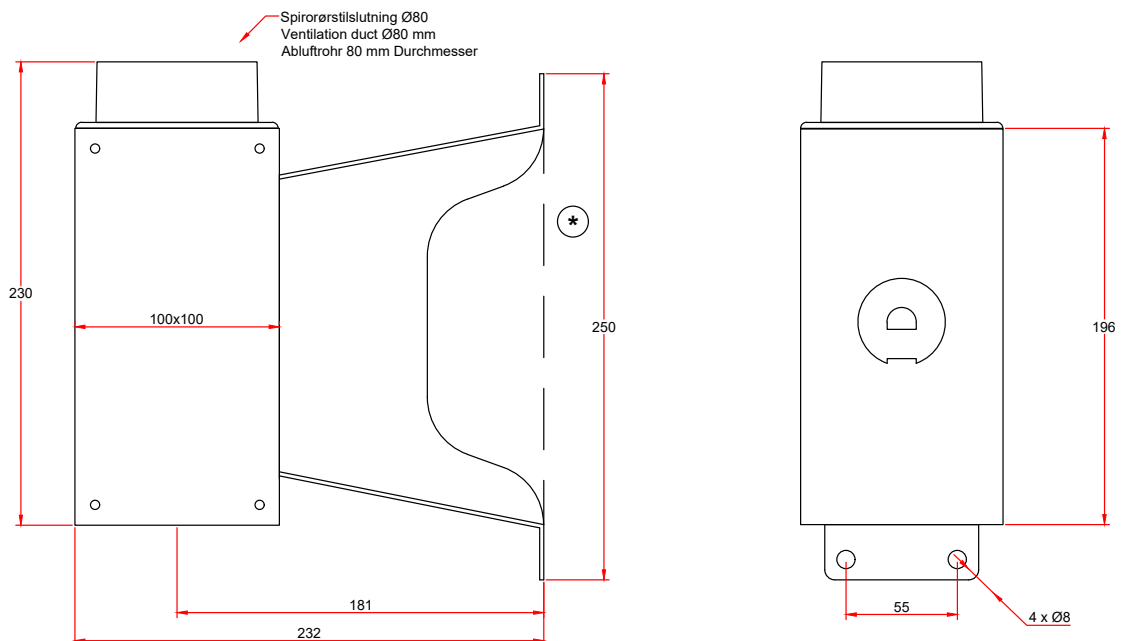
System 75 - Aluminium (AL)

- Bracket to mount extraction arms for wall mounting to the wall
- Made of steel with a polyester powder-coating on all surfaces
- Connection to ventilation duct:
 - Direct connection with a duct Ø80 mm
 - Connection with reducer 4-10075 to Ø100 duct
 - Connection with our Ø75 aluminium pipe in the length needed, when a stylish installation is required
- Colours available: white (-) or black (-050)



* Also available with closed sides for areas with special requirements of cleaning.
Article no. 2-195-10-5

Drawing



*) Closed sides for areas with special requirements of cleaning.

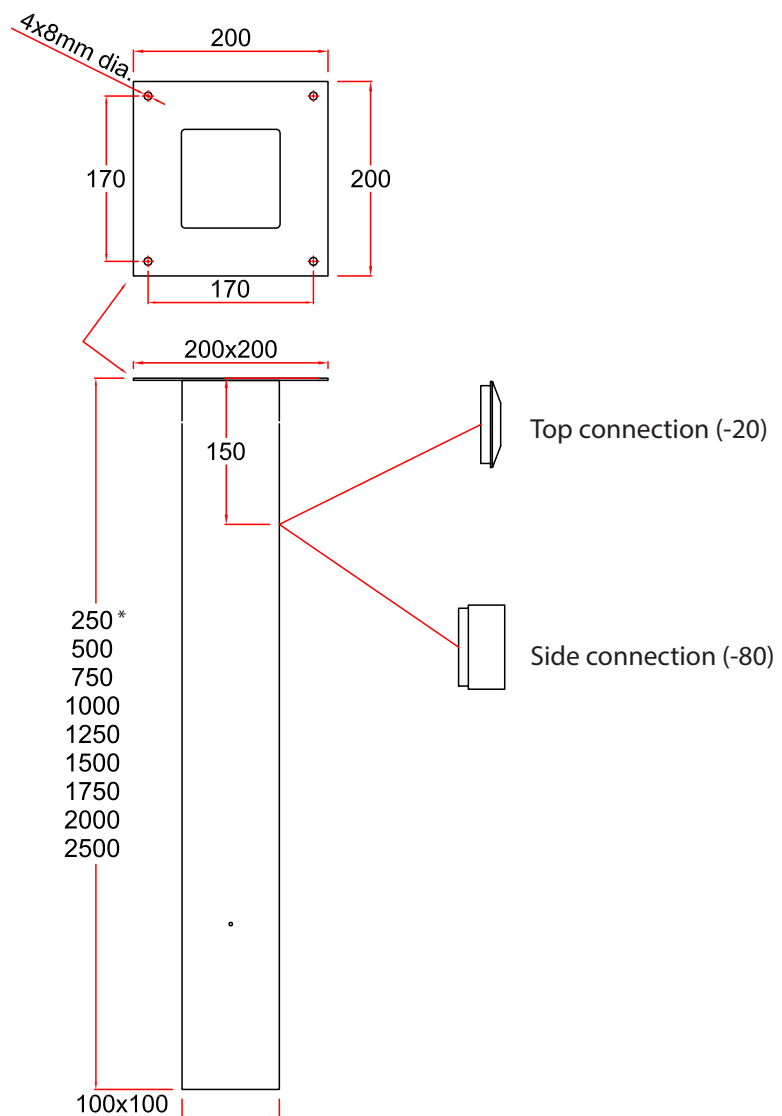


System 75 - Aluminium (AL)

- Ceiling columns to mount extraction arms for ceiling mounting to the ceiling
- Strong construction made of steel
- Increased durability due to polyester powder-coating on all surfaces
- Available with top connection (-20) or side connection Ø80 mm (-80)
- Colours available: white (-5) or black (-050)
- Dimension: 100x100 mm
- Lengths: 250 - 2500 mm



Drawing



*)
Only for socket pipe with hole (side connection).
Hole to be made by installer.

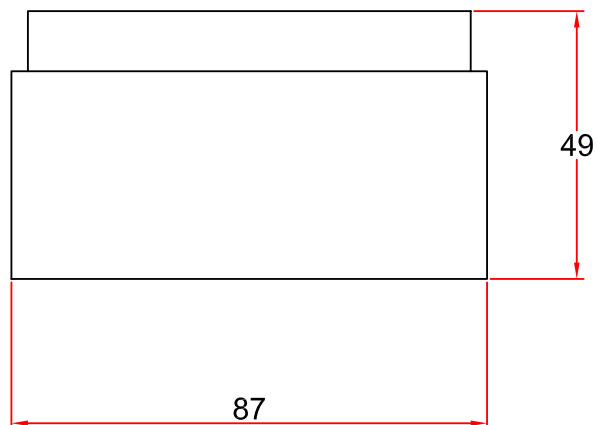


System 75 - Aluminium (AL)

- Reducer to connect extraction arm and ventilating duct
- Reduces from Ø80 - Ø75
- Made of polypropylene (PP)
- Colour: White



Drawing



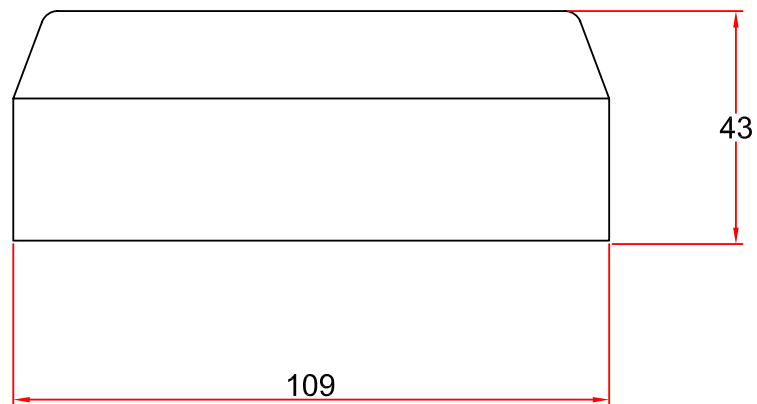


System 75 - Aluminium (AL)

- Reducer to connect extraction arm and ventilating duct
- Can be used to connect wall bracket to ventilating duct $\varnothing 100$ mm
- Reduces $\varnothing 100$ - $\varnothing 75$
- Made of polypropylene (PP)
- Colour: White



Drawing

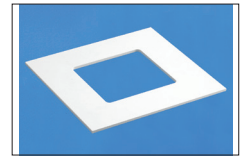


Cover flange 4-200-200



System 75 - Aluminium (AL)

- Cover flange to mount on false ceiling. Hides the carrying of the ceiling column through the false ceiling
- Dimensions: 200 x 200 mm
- Material: polystyrene
- Fasten with glue or small screws
- Colour: white



Drawing

For this product there is no drawing

Support bracket 2-75-5

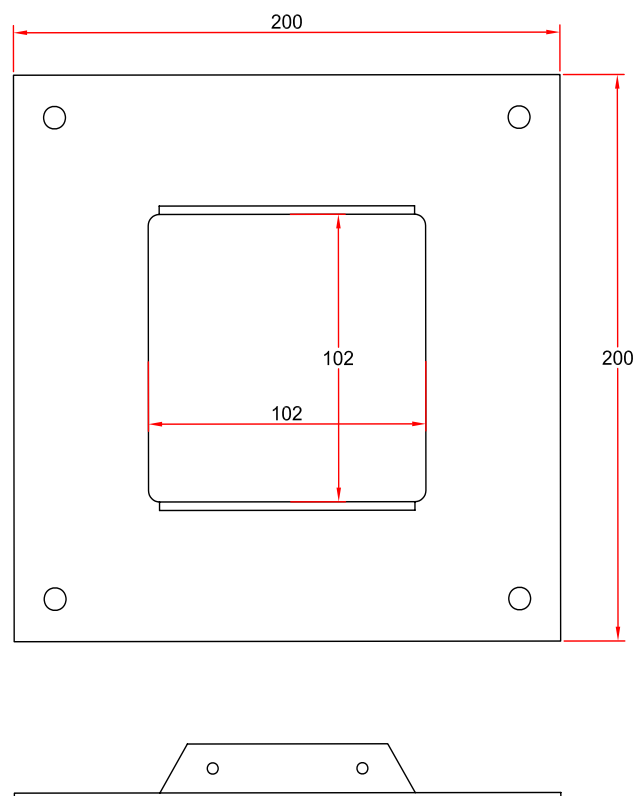


System 75 - Aluminium (AL)

- For extra support of long ceiling columns when mounted to ceiling racks or with wires to the deck
- Made of steel with a polyester powder-coating on all surfaces
- Dimensions: 200 x 200 mm
- Colour: white



Drawing





System 75 - Aluminium (AL)

- Protective netting to be placed in the hood
- Protects against extraction of foreign objects
- Polypropylene (PP)
- Colour: white



Drawing

